

UG SERIES



Max Working Height(m)

-UG16	7.0	-UG35	12.3
-UG20	8.1	-UG38	13.7
-UG25	9.5	-UG40	14.3
-UG30	10.9	-UG42	15.3

Load Capacity (kg)

-UG16	200	-UG35	136
-UG20	159	-UG38	136
-UG25	159	-UG40	136
-UG30	159	-UG42	110

Total Weight AC/DC(kg)

-UG16	315/357	-UG35	415/457
-UG20	340/382	-UG38	455/497
-UG25	360/402	-UG40	515/557
-UG30	380/422	-UG42	475/517

Back-up Battery

-All machine automatically switch to a back up battery system allowing user to descend safely

Mobility

- Designed to pass through standard doorways and elevator entrance

Transportation

- Equipped with leveraging device which facilitates their loading onto a truck or van for transportation

Designed with advanced technical input and with a special focus on quality and operator safety requirements, the UG series lift is compact, with superior outer finishes, light and easy to handle and has many safety features. Employing the traditional sliding rail mast design, the UG series lift uses high quality parts, with critical components being sourced from world leading suppliers.

The special attention given to practical features and safety standards has created a machine with greater stability and safety by comparison with other similar portable personnel lift models. UG personnel lifts are available in both AC and DC versions.



Multi-function control panel



Platform controls



Emergency down valve



Standard doorway access



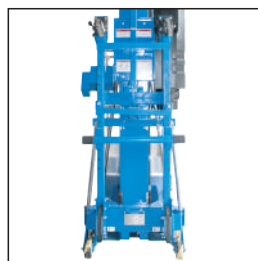
Outrigger and Loading Mechanism



Laser position locator



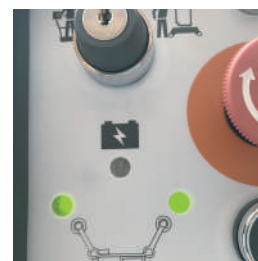
Stainless steel cage



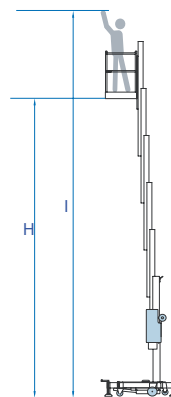
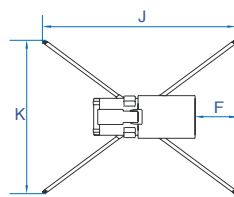
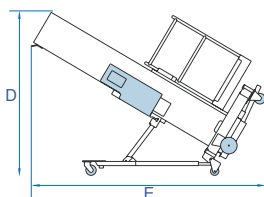
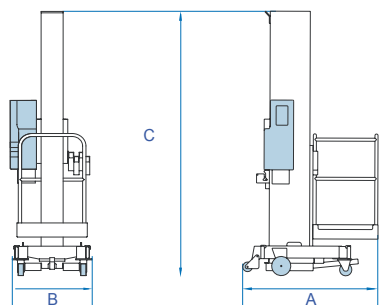
UG40 back support



Storage box and protection panel



Back-up battery system



Technical Specifications

Model	UG16	UG20	UG25	UG30	UG35	UG38	UG40	UG42
Max Platform Height (m) H	5.0	6.1	7.5	8.9	10.3	11.7	12.3	13.3
Max Working Height (m) I	7.0	8.1	9.5	10.9	12.3	13.7	14.3	15.3
Rated Load (kg)	200	159	159	159	136	136	136	110
Stored Dimensions (m) A*B*C	1.22X0.8X1.79	1.22X0.8X1.98	1.28X0.8X1.98	1.34X0.8X1.99	1.40X0.8X1.99	1.47X0.8X1.99	1.42X0.8X2.80	1.56X0.8X2.15
Tilted Dimensions (m) E*B*D	N/A	N/A	N/A	N/A	N/A	N/A	2.85X0.8X1.98	N/A
Platform Dimensions (m)	0.68x0.66x1.1	0.68x0.66x1.1	0.68x0.66x1.1	0.68x0.66x1.1	0.68x0.66x1.1	0.68x0.66x1.1	0.68x0.66x1.1	0.68x0.66x1.1
Voltage AC/DC Model (V)	230/12	230/12	230/12	230/12	230/12	230/12	230/12	230/12
Outrigger Foot-Print (m) K*J	1.55x1.75	1.55x1.75	1.55x1.75	1.55x1.75	2.06x2.26	2.34x2.70	2.33x2.58	2.61x2.09
Wall Access Distance (m) f	0.12	0.12	0.12	0.12	0.36	0.53	0.53	0.48
Total Weight AC/DC Model (kg)	315/357	340/382	360/402	380/422	415/457	455/497	515/557	475/517
Power Rating AC/DC Model (kW)	1.1/1.6	1.1/1.6	1.1/1.6	1.1/1.6	1.1/1.6	1.1/1.6	1.1/1.6	1.1/1.6